

HANLEY BATH

The Hanley bath is a reproduction of an original fireclay bath, purchased from the Grand Hotel in Aix les Bains. It is manufactured in England from Vitrite™, a stone and mineral composite that replicates the look and feel of the original bath but without the weight. It can be produced in any colour.

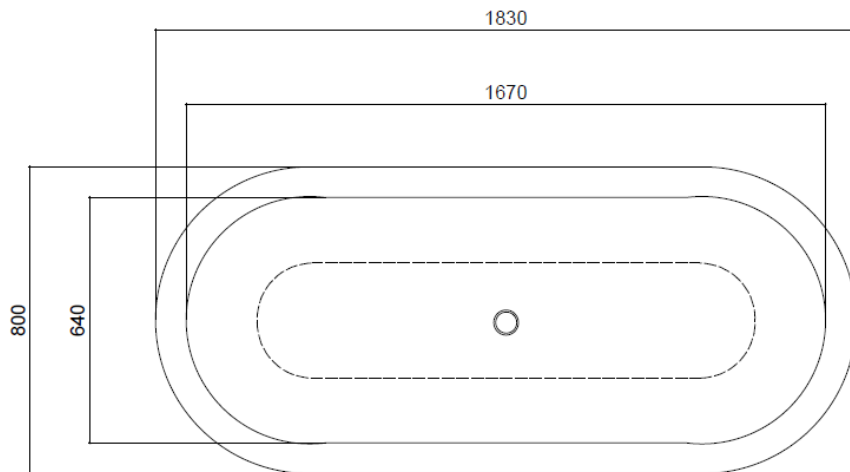
Length: 1830mm / 72"

Width: 800mm / 31.5"

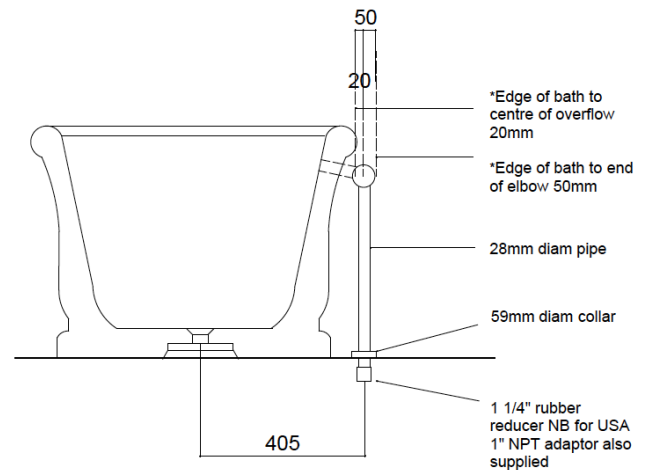
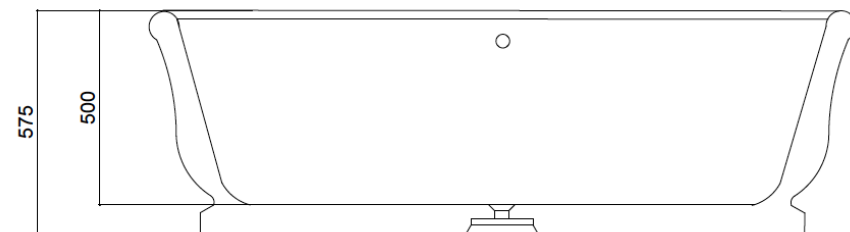
Height: 575mm / 23.75"

Weight: 100kg / 220lbs

Capacity: 320 litres / 70 UK gallons / 84 US gallons



Hanley Bath (in MM)	
O/A Length	1830
O/A Width	800
O/A Height	575
Int Length	1670 apr
Int Width	640 apr
Int Depth	500 apr



Waste: 1 1/2" BSP; Overflow: 28mm / 1 1/4" rubber reducer.

We only supply fittings above the floor. We do not supply the trap. The waste and overflow need to be joined together and then trapped beneath the floor. Dimensions are given in mm, they are a guide only and may vary from bath to bath.