

# JENNINGS BATH

The Jennings bath is a reproduction of a late 19<sup>th</sup> Century English embossed cast iron bath with a luxurious wooden roll. The bath was originally manufactured by George Jennings, one of the finest sanitary engineers of his time. The bath is cast in England from recycled brake discs and is available with a painted, polished & lacquered or patinated exterior finish. The taps may be mounted on the roll or on standpipes behind the bath; the roll is also available in a white enamel finish.

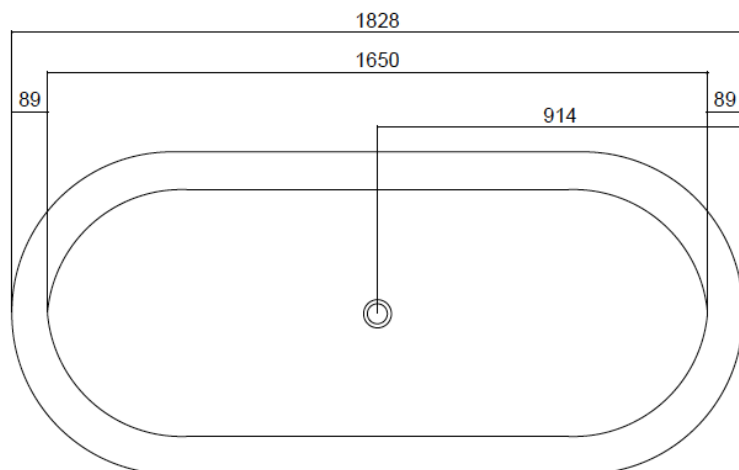
Length: 1828mm / 72"

Width: 805mm / 32"

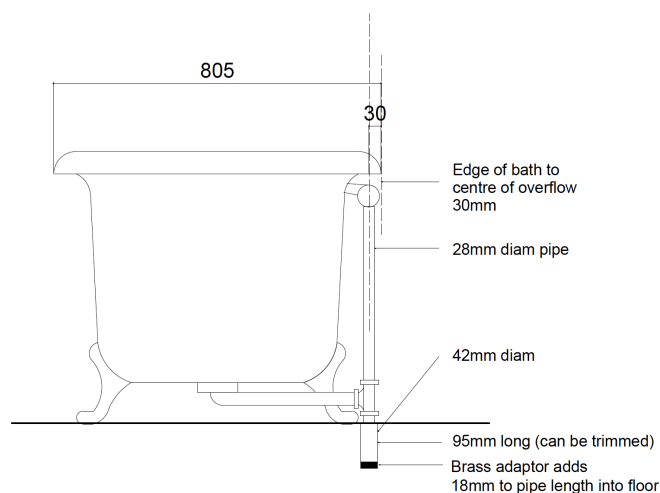
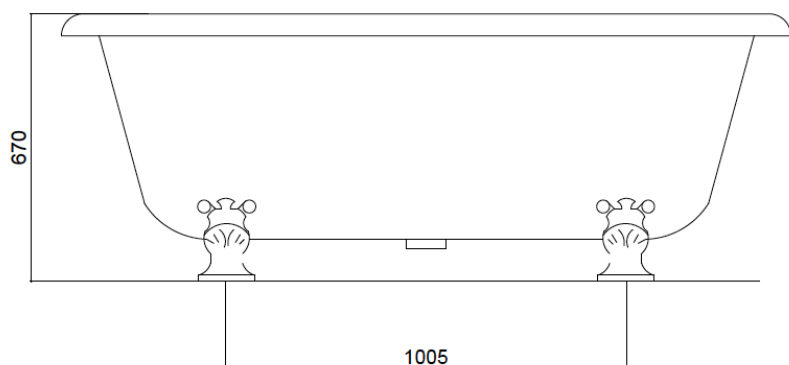
Height: 670mm / 26.5"

Dry Weight: 270kg / 595lb

Capacity: 350 litres / 77 UK Gallons / 93 US Gallons



Jennings Bath (in mm)	
O/A Length	1828
O/A Width	805
O/A Height	670
Int Length	1650 apr
Int Width	615 apr
Int Depth	550 apr



The outlet pipe can be used horizontally by turning the 'T' and can be supplied with an extra pipe and elbow if wishing to go into the floor further behind the bath if specified.

Waste: 1 1/2" BSP; Overflow: 28mm into 42mm waste pipe.

We only supply fittings above the floor. We do not supply the trap; the trap needs to go beneath the floor.

Dimensions are given in mm; they are a guide only and may vary from bath to bath.