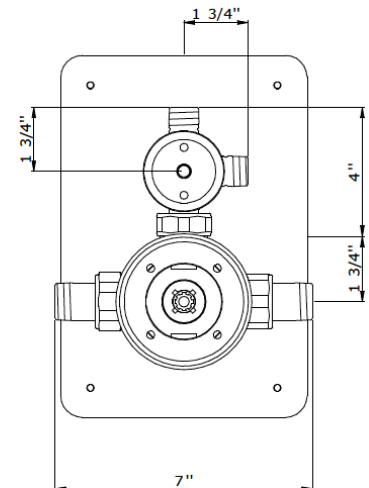
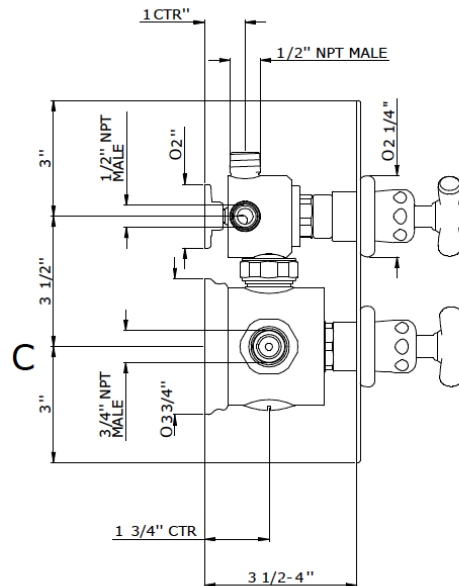
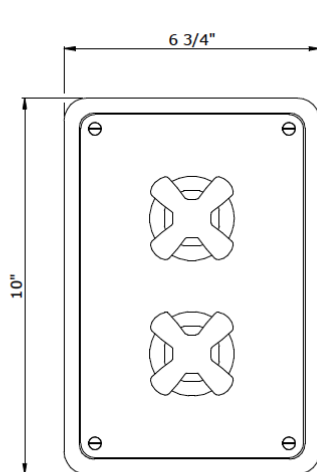


ROCKWELL WALL MOUNTED CONCEALED THERMOSTATIC CONTROL AND DIVERTER VALVE - US

Rockwell wall mounted thermostatic control and diverter valve, mounted on rectangular plate. The crossheads are available in either all metal or Rockwell colored ceramic: lilac/Bonbon, orange/Squash, black/Graphite/Ink, white/Snowdrop, grey/Seattle, green/Willow, blue/Powder and yellow/Sherbet. Manufactured in England.



Technical Details

Control valve rough in depth: Max 4 1/8"
 Control valve rough in depth : Min 3 1/2"
 Primary metal: Brass
 Trim height: 9 7/8"
 Trim width: 7 7/8"
 Integrated diverter control: Yes
 Number of handles: 2
 Suggested application: Bath / shower
 Wax capsule thermostatic cartridge with 1 second supply failure response
 Adjustable temperature safety override stop (pre-set to 100°F)

Inlet connection size: male 3/4" NPT
 Outlet connection size: female 3/4" NPT
 Secondary outlet: Available, optional extra
 Temp Min: 52°F
 Temp Max: 118°F
 Max inlet temp: 180°F
 Recommended max working pressure: 75psi
 Recommended min working pressure: 7psi
 Packed weight: 14lb

Product Notes

All dimensions are based on original specifications and are subject to change and variation.

THE
 WATER/
 MONOPOLY