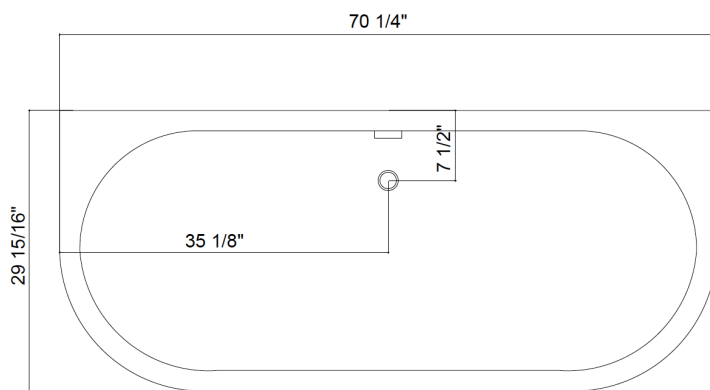


SOHO BATH IN VITRITE - US

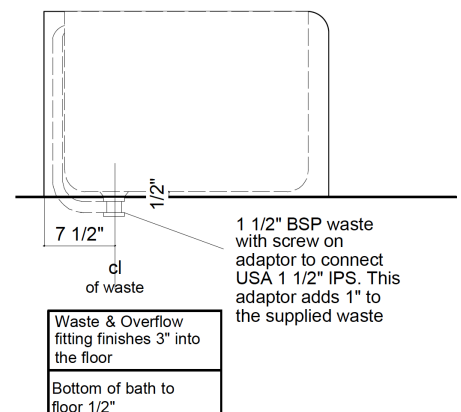
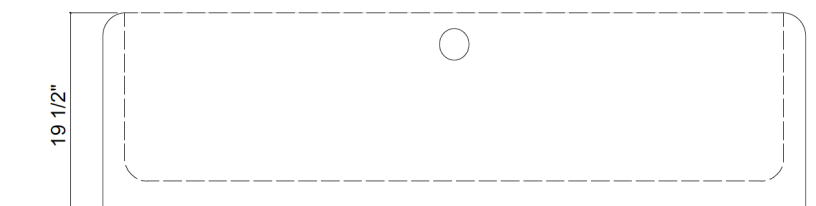
The Soho bath is a reproduction of a 1930's French double ended bath tub. Made in England from Vitrite™, a stone and mineral composite that replicates the look and feel of the original bath but without the weight. Available in white or our bespoke color matching service to create a bath unique to your space and color scheme.

Length: 70 1/4"
 Width: 29 15/16"
 Height: 19 1/2"
 Internal length: 65 15/16"
 Internal width: 23 5/8"
 Internal depth: 16 15/16"
 Capacity: 71 US Gallons
 Dry weight: 198 lbs
 Weight filled: 791 lbs (approx)



Soho Bath - Vitrite	
O/A Length	70 1/4"
O/A Width	29 15/16"
O/A Height	19 1/2"
INT Length	65 15/16"
INT Width	23 5/8"
INT Depth	16 15/16"

Measurements shown are for guidelines only
 (All dims shown in inches)



Combined waste and overflow 1 1/2" BSP, supplied with adaptor to connect to USA 1 1/2" IPS. We only supply fittings above the floor. We do not supply the trap; the trap needs to go beneath the floor. Dimensions are given in inches, they are a guide and vary from bath to bath.